

# Cam-Lok® “J” Power Series



All Cam-Lok part numbers available in convenient, single-use, color-coded packaging.

VULCANIZED		MALE PLUG		
COLOR	CABLE SIZE	COMPLETE PART NO.	CONTACT ONLY PART NO.	INSULATOR ONLY PART NO.
BLACK	#1/0-2/0	E1016-13	A200036-3	A200706-7
RED		E1016-15		A200706-9
GREEN		E1016-17		A200706-11
WHITE		E1016-18		A200706-12
BLUE		E1016-43		A200706-97
BROWN		E1016-120		A200706-101
ORANGE		E1016-16		A200706-10
YELLOW		E1016-14		A200706-8

VULCANIZED		FEMALE PLUG		
COLOR	CABLE SIZE	COMPLETE PART NO.	CONTACT ONLY PART NO.	INSULATOR ONLY PART NO.
BLACK	#1/0-2/0	E1016-62	A200037-3	A200705-7
RED		E1016-64		A200705-9
GREEN		E1016-66		A200705-11
WHITE		E1016-67		A200705-12
BLUE		E1016-92		A200705-64
BROWN		E1016-121		A200705-101
ORANGE		E1016-59		A200705-10
YELLOW		E1016-57		A200705-8

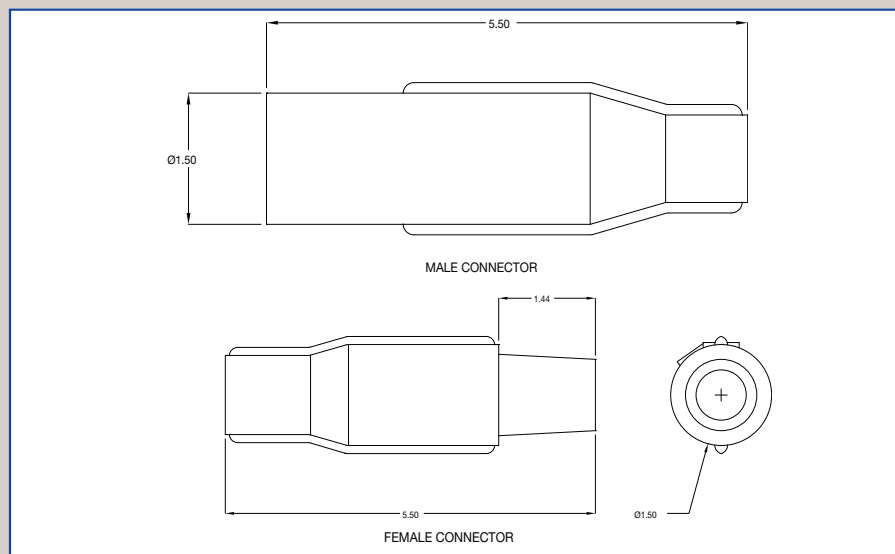


E1016-15



E1016-66

E1016 Series



**CAM-LOK “J” POWER SERIES**  
RECEPTACLES AND PLUGS PROVIDE THE MEANS TO QUICKLY CONNECT AND DISCONNECT POWER SYSTEMS SAFELY AT CONCERTS AND CARNIVALS AS WELL AS CONNECTING GENERATORS, STANDBY POWER, AND LOAD TESTING IN HOSPITALS, UTILITIES AND HEAVY INDUSTRIAL ENVIRONMENTS.

**RATINGS: 600 Volts Up to 235 Amperes Continuous**

**STANDARD MATERIALS**  
CABLE SIZE: 1/0 – 2/0  
CONNECTOR BODY: SYNTHETIC RUBBER  
CONTACT: BRASS

**AGENCY APPROVALS**  
UL LISTED E67181  
CSA CERTIFIED LR13963

**ENVIRONMENTAL RATING: NEMA 4**